

SECTION E
UGOLINI MODELS MT & NHT
EXPLODED PARTS VIEW

PARTS ORDER FORM - FREQUENTLY ORDERED ACCESSORIES

FOR MODEL: MT2UL / MT2ULAF

DISTRIBUTOR: _____

ADDRESS: _____

CITY: _____

STATE: _____

P.O. # _____

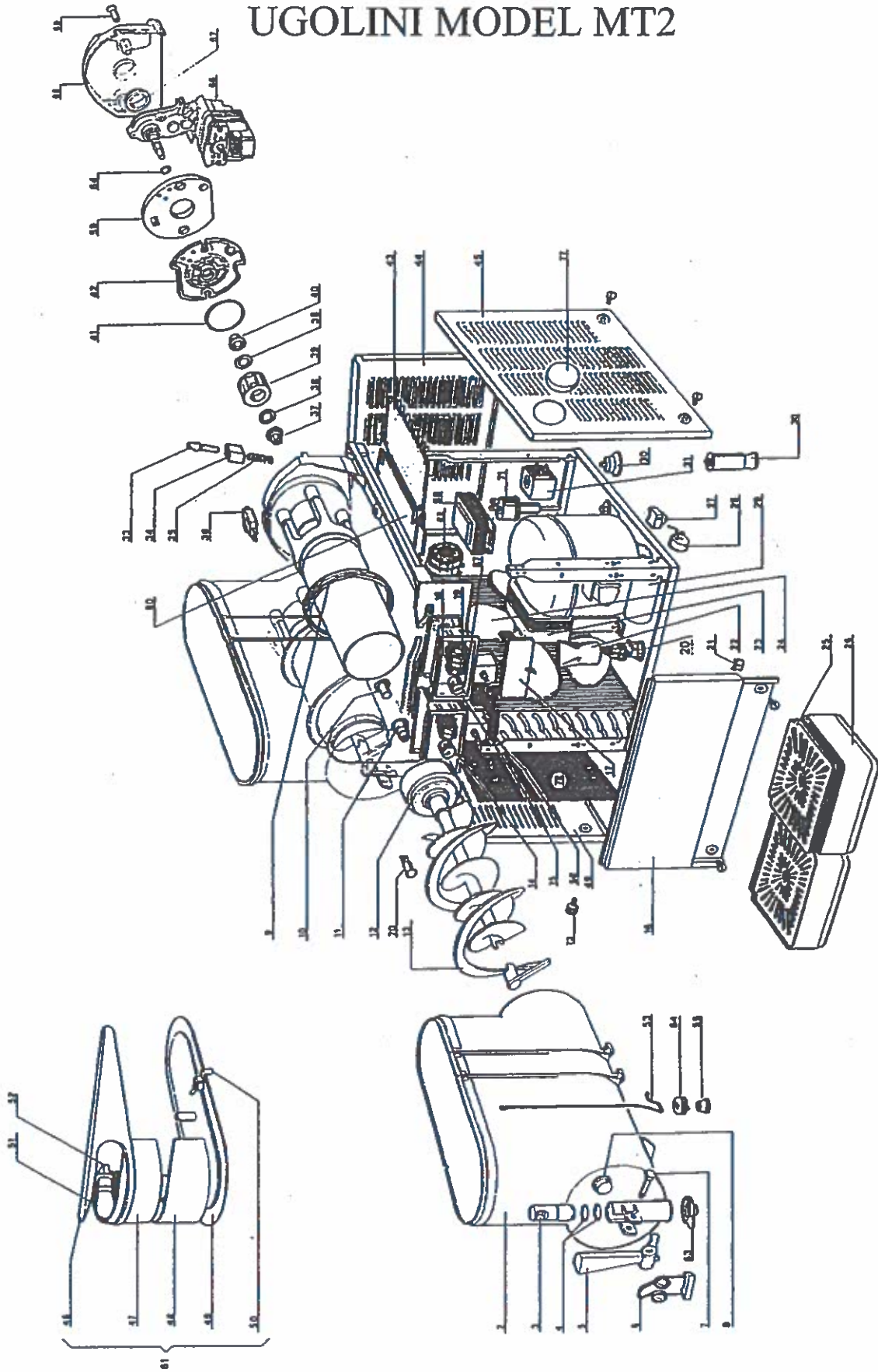
ORDERED BY: _____

QTY	OLD ITEM #	NEW ITEM #	DESCRIPTION	SUGGESTED INVENTORY FOR 50 MACHINES
	UG00046	41808752	MOTOR, DRIVE , MAGNETIC	3
	UG00046-10	41808753	MOTOR, RECONDITIONED (WHEN AVAILABLE)	
	UG00050	41808754	KIT, MAINTENANCE, MT2	20
	UG00095	41808774	FITTING 90°, AUTOFILL	3
	UG00097	41808775	BRACKET, WITH BUSHING, MAG. DRIVE	15
	UG00100	41808778	LAMP, BAYONET 28 VOLT 6 WATTS (NO 623)	20
	UG00101	41808779	O RING, PLUNGER, SPIGOT	25
	UG00102	41808780	HANDLE, RED PLASTIC	3
	UG00103	41808781	PIN, RED, HANDLE, PLASTIC	5
	UG00105	41808782	GASKET, BOWL, RUBBER	10
	UG00106	41808783	BOWL, PLASTIC	4
	UG00108	41808784	MOTOR, FAN, MT2	2
	UG00110	41808786	BLADE, INNER PLASTIC, BLACK	1
	UG00111	41808787	BLADE, OUTER, PLASTIC, BLACK	10
	UG00113	41808788	BOARD, CONTROL, MT2 (OLD STYLE)	2
	SP0157.0002	41808319	CONDENSER FILTER, (EXTERNAL)	10
	UG00121	41808793	SWITCH, MICRO	10
	UG00122	41808794	SPRING, HANDLE	6
	UG00138	41808806	COVER, DRIP TRAY, GRAY	10
	UG00139	41808807	DRIP TRAY, GRAY	10
	UG00148	41808814	WIRE, LIGHT, BOWL	8
	UG00161	41808822	PLUNGER, SPIGOT	4
	UG00164	41808825	GEAR, 1ST, MOTOR	10
	UG00169	41808829	BUSHING, GEARS	24
	UG00224	41808847	CAP, BEARING, RUBBER	24
	UG00260	41808871	GASKET, GEARBOX	15
	UG00286	41808886	VALVE, AUTOFILL, SOLENOID	6
	UG00473	41808902	CONTROL, BOARD, LIQUID LEVEL	2
	UG00497	41808908	HANDLE, BLACK, PLASTIC	3
	UG00498	41808909	PIN, BLACK, HANDLE, PLASTIC	3
	UG00506	41808912	DRIP TRAY, INSERT, BLACK	10
	UG00508	41808913	DRIP TRAY, BLACK	10
	UG02040	41808922	O RING, AUTOFILL, FITTING	10
	K0077	41809408	LOCK AND TWO KEYS, SPIGOT	
	K0159	41809430	COVER, LOCKING, MT2UL, CANVAS	
	UG00154	41808818	SCREW, REAR COVER, GRAY	4
	UG00156	41808819	MOTOR, WINDING, STATOR	2
	UG00170	41808830	WASHER, GEARS	24
	UG00167	41808827	GEAR, 2ND, MOTOR	2
	UG00448	41809578	CONTROL BOARD, NEW STYLE	2
	K2012	41809473	TIMER 24 HR, WITH BATTERY	2
	UG00193	41808844	TRANSFORMER, MT	1
	UG00092-10	41809598	RUBBER CUSHION LEG TIP	
	UG00519	41808920	SCREW, PANEL THUMB, BLACK	4

MODEL MT2 UL EXPLODED PART NUMBER VIEW

DWG NO.	OLD PART NO.	NEW PART NO.	DESCRIPTION	DWG NO.	OLD PART NO.	NEW PART NO.	DESCRIPTION
2	UG00106	41808783	Bowl, Plastic	45	UG00267	41808875	Panel, Side w/Timer, MT2, MT3
3	UG00161	41808822	Plunger, Spigot	45	UG00513	41808916	Panel, Side, Black, MT2, MT3
4	UG00101	41808779	O Ring, Plunger, Spigot	45	UG00514	41808917	Panel, Side, w/Timer, MT2, MT3
5	UG00102	41808780	Handle, Red, Plastic	45	UG00511	41808914	Panel, Rear, Black, MT2
5	UG00497	41808908	Handle, Black, Plastic	45	UG00010	41808751	Screw, Panel
6	UG00122	41808794	Spring, Handle	46	UG00147	41808813	Cover, Lighted Top, White, Upper
7	UG00103	41808781	Pin, Red, Handle, Plastic	46	UG00515	41808918	Cover, Top Lighted, Black
7	UG00498	41808909	Pin, Black, Handle Plastic	47	UG00178		Lightbox Insert, Fruit
8	UG00109	41808785	Washer, Thrust	48	UG00188	41808841	Light Assembly, Lens
9	UG00105	41808782	Gasket, Bowl, Rubber	49	UG00094	41808773	Lens, Lighted Top, Lower
10	UG00126	41808797	Bushing, Rear Wall, Front	50	UG00084	41808761	Contact, Light
11	UG00127	41808798	Bushing, Blade	51	UG00100	41808778	Lamp, Bayonet, 28V, 6 Watt, #623
12	UG00110	41808786	Blade, Inner, Plastic	52	UG00131	41808800	Socket, Bayonet Bulb
13	UG00111	41808787	Blade, Outer, Plastic	53	UG00148	41808814	Wire, Light, Bowl
14	UG00129		Switch Box	54	UG00098	41808776	Contact, Flexible
15	UG00130	41808799	Box, Power Switch, Gray	55	UG00177	41808834	Ring, Fixing
16	UG00239	41808859	Panel, Front, MT2, Stainless	56	UG00132	41808801	Thermostat
17	UG00264		Switch Box Cover	57	UG00182		Thermostat Knob
18	UG00123	41808795	Switch, 3 Position	58	UG00193	41808844	Transformer, 2 Bowl
19	UG00124	41808796	Switch, 2 Position	59	UG00231	41808853	Cover, Foam Insulation
20	UG00265	41808874	Terminal Block, with Cable Clamp	60	UG00268	41808876	Cover, Powerboard Housing
21	UG00179	41808835	Clip, Panel	61	UG00099	41808777	Lighted Top Assy, White
22	UG00297		Terminal Block Protection	61	UG00520	41808921	Lighted Top Assy, Black
23	UG00108	41808784	Motor, Fan, MT2, MT3	62	K2012	41809473	Timer, 24 hour, with Battery
24	UG00133	41808802	Blade, Fan, Metal	63	UG00134	41808803	Cap, Restrictor, Plastic
25	UG00138	41808806	Cover, Drip Tray, Gray	64	UG00144	41808811	O Ring, Faucet, Motor Shaft
25	UG00506	41808912	Drip Tray, Insert, Black	66	UG00046	41808752	Motor, Drive, Magnetic
26	UG00139	41808807	Drip Tray, Gray	67	UG00153	41808817	Bushing, Rear
26	UG00508	41808913	Drip Tray, Black	68	UG00091	41808771	Cover, Rear, Gray, Manual Fill
27	UG00085-10	41808763	Relay, Compressor, MT2	69	UG00154	41808818	Screw, Rear Cover, Gray
28	UG00085-20	41808764	Overload, MT2, Old Style	70	UG00181	41808837	Warning, Light Assembly
29	UG00085-30	41808767	Capacitor, MT2	71	UG00195	41808846	Switch, Safety
30	UG00158	41808821	Leg, Rubber	72	UG00119	41808791	Condenser Filter
30	UG00092	41808772	Leg, Plastic, 4 inch set - 4	73	UG00135	41808804	Screw, Thumb, Panel, Gray
31	UG00120	41808792	Solenoid, Coil, WB 4.5	77	UG00157	41808820	Cover, Timer
31	UG00364	41808896	Solenoid, Body, Cap Tube	N/S	UG00082	41808756	Compressor, 1/2 HP, MT3, R22
33	UG00087	41808768	Screw, Density	N/S	UG00082-10	41808757	Relay, Compressor, MT3
34	UG00089	41808770	Nut, Density	N/S	UG00082-20	41808758	Overload, MT3
35	UG00088	41808769	Spring, Density	N/S	UG00082-30	41808767	Capacitor, MT2
36	UG00121	41808793	Switch, Micro	N/S	UG00085	41808762	Compressor, 1/3, MT2, R22
37	UG00227	41808849	Bushing, Inner Wall	N/S	UG00050	41808754	Kit, Maintenance, MT2
38	UG00229	41808851	Washer, Drive, Magnetic	N/S	UG00233	41808854	Rear Wall, Gray, MTUL
39	UG00228	41808850	Drive, Magnetic	N/S	UG00364	41808896	Solenoid, Body, Cap, Tube
40	UG00230	41808852	Bushing, Flange	N/S	UG00365	41808897	Solenoid, Body, Cap, Tube, MT3
41	UG00226	41808848	O Ring, Flange	N/S	UG00464	41808901	Rear Wall, Black, MTUL
42	UG00183	41808838	Flange, Gear Motor	N/S	K0159	41809430	Cover, Locking, MT2UL, Canvas
43	UG00113	41808788	Board, Control, MT2	N/S	K0077	41809408	Lock and Two Keys, Spigot
44	UG00236	41808857	Panel, Rear, Stainless, MT2	N/S	K0162	41809433	Cover, Locking, MT3, Canvas
45	UG00237	41808858	Panel, Side, MT2	N/S	UG00420	41809623	Plunger, Spigot, Flow Design

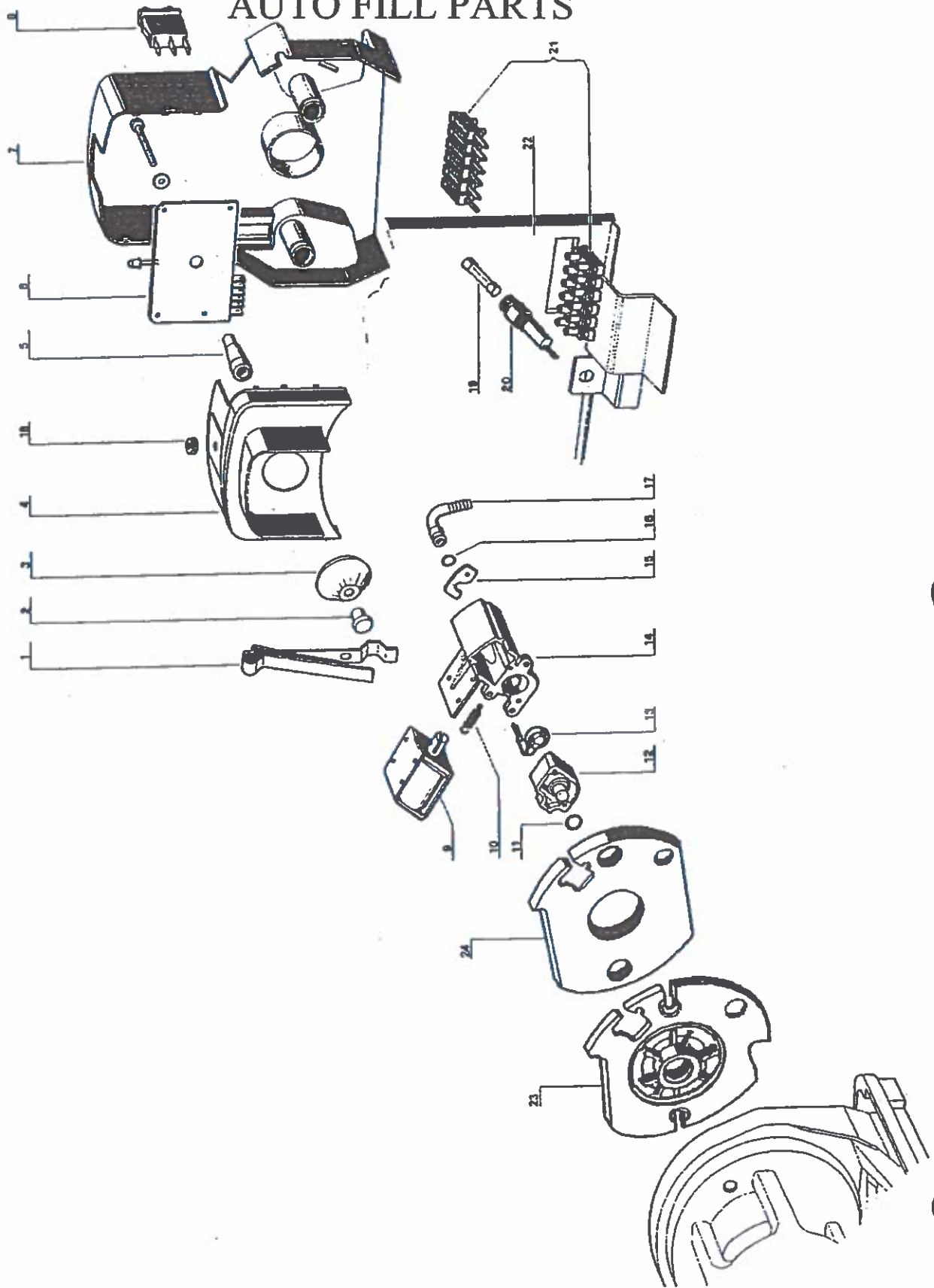
UGOLINI MODEL MT2



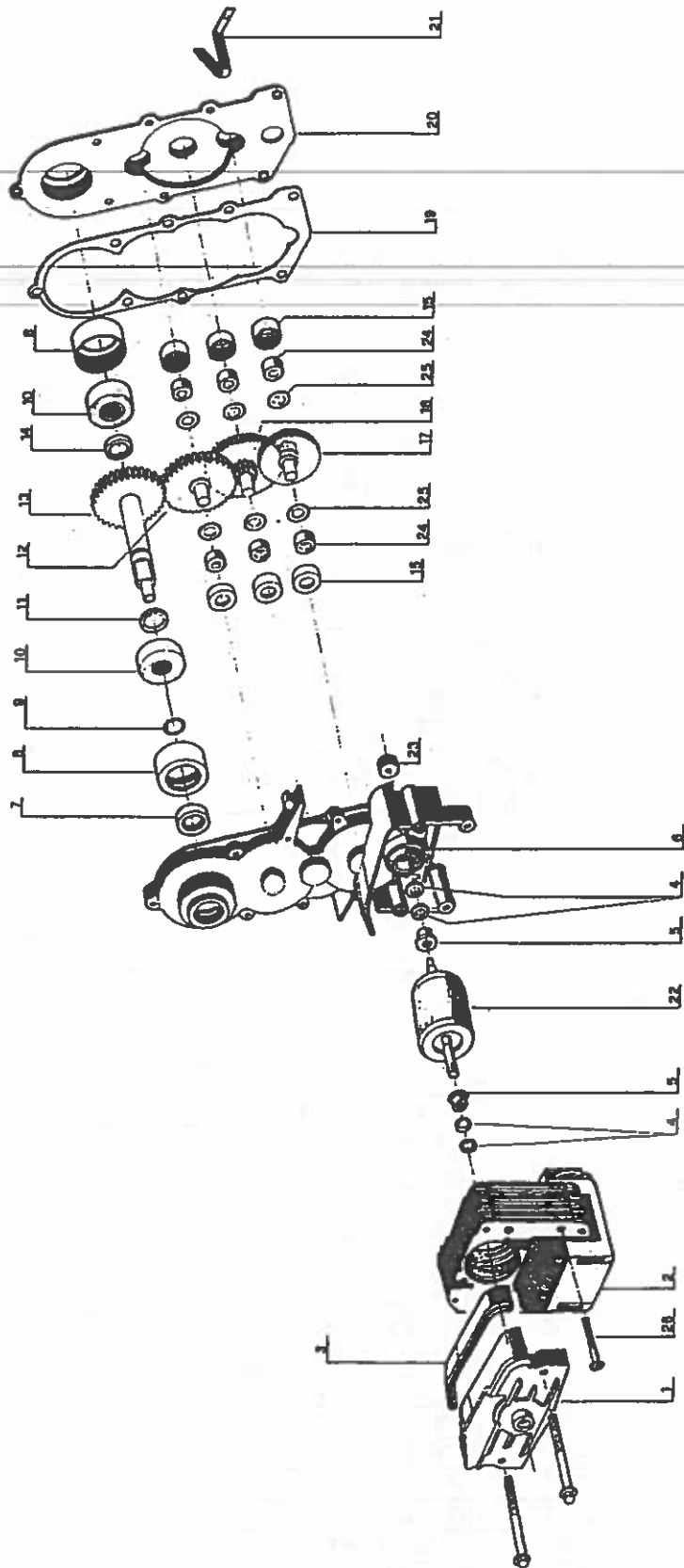
MODEL MT2 UL AUTOFILL / GEAR PARTS EXPLODED VIEW

DWG NO.	OLD PART NO.	NEW PART NO.	DESCRIPTION	DWG NO.	OLD PART NO.	NEW PART NO.	DESCRIPTION
1	UG00115	41808789	Clip, Probe, Metal	1	UG00097	41808775	Bracket,w/Bushing, Magnetic Drive
2	UG00277	41809599	Contact, Auto Fill	2	UG00156	41808819	Motor, Winding
3	UG00278	41808878	Contact, Flexible	3	UG00296		Gasket, Stator Protection
4	UG00279	41808879	Cover, Front	4	UG00168	41808828	Washer
4	UG00491	41808905	Cover, Front, Black	5	UG00253	41808866	Spacer, Rotor
5	UG00280	41808880	Spacer, Contact	6	UG00190	41808842	Gearbox, w/Bushing Assembly
6	UG00473	41808902	Control, Board, Liquid Level	7	UG00256	41808868	Seal, Retainer
7	UG00281	41808881	Cover, Rear, Gray, Autofill	8	UG00254	41808867	Cap, Bearing, Rubber
7	UG00492	41808906	Cover, Rear, Black	9	UG00144	41808811	O Ring, Faucet, Motor Shaft
8	UG00282	41808882	Switch, 3 Position	10	UG00247	41808863	Bearing, 4th Gear
9	UG00283	41808883	Valve, Solenoid	11	UG00257	41808869	Shim, 4th Gear
10	UG00284	41808884	Spring, A.F. Valve	12	UG00184	41808839	Gear, 3rd
11	UG00144	41808811	O Ring, Faucet, Motor Shaft	13	UG00165	41808826	Gear, 4th
12	UG00285	41808885	Front, Faucet, Part	14	UG00258	41808870	Shim, 4th Gear
13	UG00286	41808886	Valve, Auto Fill, Solenoid	15	UG00224	41808847	Cap, Bearing, Rubber
14	UG00287	41808887	Faucet, Rear Part	17	UG00164	41808825	Gear, 1st
14	UG00494	41808907	Faucet, Rear, Black	18	UG00167	41808827	Gear, 2nd
15	UG00288	41808888	Clip, Fitting	19	UG00260	41808871	Gasket, Gearbox
6	UG00095	41808774	Fitting, Autofill	20	UG00189		Cover, Gearbox
17	UG00245	41808862	Cover, Switch Box, Gray	21	UG00261	41808872	Spring, Microswitch
18	UG00289		Gasket, LED, Light	22	UG00180	41808836	Stator
19	UG00290	41808889	Fuse, 1.25 amp, MT1, MT2, MT3	23	UG00187	41808840	Gear, Pinion
20	UG00291	41808890	Fuse, Holder	24	UG00169	41808829	Bushing, Gears
21	NA	NA	Terminal Block	25	UG00170	41808830	Washer, Gears
22	UG00293		Panel, Back, Autofill, MT2	26	UG00262		Screw, Stator
22	UG00294		Panel, Back, Autofill, MT3	N/S	UG00636	41809621	Gasket, Rubber, UG Motor
23	UG00295	41808891	Flange, Gear Motor				
24	UG00231	41808853	Cover, Foam Insulation				

UGOLINI MODEL MT2ULAF AUTO FILL PARTS



UGOLINI MODEL MT2ULAF GEAR MOTOR PARTS



PARTS ORDER FORM - FREQUENTLY ORDERED ACCESSORIES

FOR MODEL: NHTUL / NHTULAF

DISTRIBUTOR: _____
 ADDRESS: _____
 CITY: _____
 STATE: _____
 P.O. # _____
 ORDERED BY: _____

QTY	OLD ITEM #	NEW ITEM #	DESCRIPTION	SUGGESTED INVENTORY FOR 50 MACHINES
	UG00387	41809569	MOTOR, DRIVE NHT	3
	UG00109	41808785	WASHER, THRUST	15
	UG00385	41808898	SEAL, BLADE NHT2UL	30
	UG00095	41808774	FITTING 90°, AUTOFILL	3
	UG00097	41808775	BRACKET, WITH BUSHING, MAG. DRIVE	15
	UG00100	41808778	LAMP, BAYONET 28 VOLT 6 WATTS (NO 623)	20
	UG00101	41808779	O RING, PLUNGER, SPIGOT	25
	UG00102	41808780	HANDLE, RED PLASTIC	3
	UG00103	41808781	PIN, RED, HANDLE, PLASTIC	5
	UG00105	41808782	GASKET, BOWL, RUBBER	10
	UG00106	41808783	BOWL, PLASTIC	4
	UG00108	41808784	MOTOR, FAN, MT2	2
	UG00386	41808899	BLADE, INNER, PLASTIC NHTUL	3
	UG00111	41808787	BLADE, OUTER, PLASTIC, BLACK	10
	UG00531	41809593	RELAY, NHT - OLD STYLE	2
	SP0157.0002	41808319	CONDENSER FILTER, (EXTERNAL)	10
	UG00121	41808793	SWITCH, MICRO	10
	UG00122	41808794	SPRING, HANDLE	6
	UG00138	41808806	COVER, DRIP TRAY, GRAY	10
	UG00139	41808807	DRIP TRAY, GRAY	10
	UG00148	41808814	WIRE, LIGHT, BOWL	8
	UG00161	41808822	PLUNGER, SPIGOT	4
	UG00164	41808825	GEAR, 1ST, MOTOR	10
	UG00169	41808829	BUSHING, GEARS	24
	UG00224	41808847	CAP, BEARING, RUBBER	24
	UG00260	41808871	GASKET, GEARBOX	15
	UG00286	41808886	VALVE, AUTOFILL, SOLENOID	6
	UG00473	41808902	CONTROL, BOARD, LIQUID LEVEL	2
	UG00497	41808908	HANDLE, BLACK, PLASTIC	3
	UG00498	41808909	PIN, BLACK, HANDLE, PLASTIC	3
	UG00506	41808912	DRIP TRAY, INSERT, BLACK	10
	UG00508	41808913	DRIP TRAY, BLACK	10
	UG02040	41808922	O RING, AUTOFILL, FITTING	10
	K0077	41809408	LOCK AND TWO KEYS, SPIGOT	
	K0159	41809430	COVER, LOCKING, MT2UL, CANVAS	
	UG00154	41808818	SCREW, REAR COVER, GRAY	4
	UG00156	41808819	MOTOR, WINDING, STATOR	2
	UG00170	41808830	WASHER, GEARS	24
	UG00167	41808827	GEAR, 2ND, MOTOR	2
	UG00448	41809578	CONTROL BOARD, NEW STYLE	2
	K2012	41809473	TIMER 24 HR, WITH BATTERY	2
	UG00193	41808844	TRANSFORMER, MT	1
	UG00092-10	41809598	RUBBER CUSHION LEG TIP	
	UG00519	41808920	SCREW, PANEL THUMB, BLACK	4

MODEL NHT EXPLODED PART NUMBER VIEW

DWG NO.	OLD PART NO.	NEW PART NO.	DESCRIPTION	DWG NO.	OLD PART NO.	NEW PART NO.	DESCRIPTION
2	UG00106	41808783	Bowl, Plastic				
3	UG00420	41809623	Plunger, Spigot, Flow Design	44	UG00511	41808914	Panel, Rear, Black, MT2
3	UG00161	41808822	Plunger, Spigot	45	UG00460	41808900	Panel, Side, w/Filter Guide Bracket
4	UG00101	41808779	O Ring, Plunger, Spigot	45	UG00514	41808917	Panel, Side, w/Timer, MT2, MT3
5	UG00102	41808780	Handle, Red, Plastic	45	UG00010	41808751	Screw, Panel
5	UG00497	41808908	Handle, Black, Plastic	46	UG00147	41808813	Cover, Lighted Top, White, Upper
6	UG00122	41808794	Spring, Handle	46	UG00515	41808918	Cover, Top, Lighted, Black
7	UG00103	41808781	Pin, Red, Handle, Plastic	47	UG00178		Lightbox Insert - Fruit
7	UG00498	41808909	Pin, Black, Handle Plastic	48	UG00188	41808841	Light Assembly, Lens
8	UG00109	41808785	Washer, Thrust	49	UG00094	41808773	Lens, Lighted Top, Lower
9	UG00105	41808782	Gasket, Bowl, Rubber	50	UG00084	41808761	Contact, Light
11	UG00385	41808898	Seal, Blade, NHTUL	51	UG00100	41808778	Lamp, Bayonet, 28V, 6 Watt, #623
12	UG00386	41808899	Blade, Inner, Plastic, NHTUL	52	UG00131	41808800	Socket, Bayonet Bulb
13	UG00111	41808787	Blade, Outer, Plastic	53	UG00148	41808814	Wire, Light, Bowl
14	UG00129		Box, Switch	54	UG00098	41808776	Contact, Flexible
15	UG00130	41808799	Box, Power Switch, Gray	55	UG00177	41808834	Ring, Fixing
16	UG00239	41808859	Panel, Front, MT2, Stainless	56	UG00132	41808801	Thermostat
17	UG00245	41808862	Cover, Switch Box, Gray	57	UG00182		Thermostat - Knob
18	UG00123	41808795	Switch, 3 Position	58	UG00193	41808844	Transformer, 2 Bowl
19	UG00124	41808796	Switch, 2 Position	61	UG00099	41808777	Lighted Top, White, Cover, Assy
20	UG00265	41808874	Terminal Block, with Cable Clamp	61	UG00520	41808921	Lighted Top Assembly, Black
21	UG00179	41808835	Clip, Panel	62	K2012	41809473	Timer, 24 Hour, with Battery
22	UG00287		Terminal Block, Protection	64	UG00144	41808811	O Ring, Faucet, Motor Shaft
23	UG00108	41808784	Motor, Fan, MT2, MT3	66	UG00387	41809569	Motor, Drive, NHT, New Model
24	UG00133	41808802	Blade, Fan, Metal	67	UG00153	41808817	Bushing, Rear
25	UG00138	41808806	Cover, Drip Tray, Gray	68	UG00091	41808771	Cover, Rear, Gray, Manual Fill
25	UG00506	41808912	Drip Tray, Insert, Black	69	UG00517	41808919	Screw, Rear Cover, Black
26	UG00139	41808807	Drip Tray, Gray	72	SP0157.0002	41808319	Filter, Condenser
26	UG00508	41808913	Drip Tray, Black	72	UG00119	41808791	Condenser, Filter
27	UG00085-10	41808763	Relay, Compressor, MT2	73	UG00135	41808804	Screw, Thumb, Panel, Gray
28	UG00085-20	41808764	Overload, MT2, Old Style	77	UG00157	41808820	Cover, Timer
29	UG00085-30	41808767	Capacitor, MT2	N/S	UG00082	41808756	Compressor, 1/2HP, MT3, R22
30	UG00158	41808821	Leg, Rubber	N/S	UG00082-10	41808757	Relay, Compressor, MT3
30	UG00092	41808772	Leg, Plastic, 4 inch	N/S	UG00082-20	41808758	Overload, MT3
31	UG00120	41808792	Solenoid, Coil, WB4.5	N/S	UG00082-30	41808759	Capacitor, MT3
31	UG00364	41808896	Solenoid, Body, Cap Tube	N/S	UG00085	41808762	Compressor, 1/3, MT2, R22
33	UG00087	41808768	Screw, Density	N/S	UG00364	41808896	Solenoid, Body, Cap Tube
34	UG00089	41808770	Switch, Micro	N/S	UG00546	41809629	Rear Wall, NHT, Gray
35	UG00088	41808769	Spring, Density	N/S	UG00531	41809593	Relay, NHT
36	UG00121	41808793	Switch, Micro	N/S	UG00560	41809630	Rear Wall, NHT, Black
43	UG00448	41809578	Control Board, Giant	N/S	UG00150	41808816	Bearing, Rear Shaft, Non-Magnetic

UGOLINI MODEL NHT2

