

SECTION D
STOELTING MODELS 100F, 100C &
2217 EXPLODED PARTS VIEW

PARTS ORDER FORM - FREQUENTLY ORDERED ACCESSORIES

FOR MODELS: 100F / 100C / 2217 (STOELTING)

DISTRIBUTOR: _____

ADDRESS: _____

CITY: _____

STATE: _____

P.O. # _____

ORDERED BY: _____

QTY	OLD ITEM #	NEW ITEM #	DESCRIPTION	SUGGESTED INVENTORY FOR 50 MACHINES
	T2149065	41808114	BEARING, 100 / 2217	5
	T202002-T	41808094	SWITCH, RESET 100 / 2217	5
	T232086	41808131	CAP, DRIVE 100 / 2217	7
	K0200	41809434	TORQUE CONTROL, SP	4
	KS75595-01	41809556	MOTOR, FAN (100F R22)	4
	T522833	41808221	MOTOR, FAN, STUD MT (100F R22) (100C)	4
	T571016	41808230	PIN, ROLL 1/8 X 3/4	20
	T571020	41808231	PIN, ROLL 5/32 X 3/4 (OLD STYLE COUPLING)	15
	T624607-100	41808263	O RING, SPIGOT, 25 PCS	1
	T624737-100	41808268	O RING, AGITATOR, 25 PCS	1
	K0016	41809337	MOTOR, DRIVE 115V	2
	SP0028.0001	41808308	SPRING, SPIGOT	10
	SP0121.0001	41808315	CLIP, RETAINING, SPIGOT	20
	K0063	41809394	SWITCH, TOGGLE, 3 POSITION	4
	K2012	41809473	TIMER, 24 HOUR WITH BATTERY	4
	T1123323	41808065	SPIGOT, LOWER ASSEMBLY	2
	T2147689	41808110	SPIGOT, UPPER ASSY	3
	T1171812	41808086	COUPLING, MOTOR	3
	K0055-5	41809389	DRIP TRAY WITH INSERT, BLACK	3
	K0022-3	41809365	COVER, BLACK	3
	K0023-3	41809367	COVER, SLIDING, BLACK	3
	K0018	41809353	INDICATOR, LIQUID LEVEL	3
	K0021	41809359	CUP, REVOLVING RED	3
	K52091	41809493	BOTTLE, PLASTIC DISPENSER	25
	K52092	41809494	PUMP, PLASTIC BOTTLE, DISPENSER	20
	T767519	41808300	DISC, ANTI LIFT	5
	T221164	41808120	BUSHING, AGITATOR CTR POST, BOTTOM	5
	T1127494	41808066	BUSHING, CURRENT TOP, CENTER POST	2
	T5100-103	41808207	BUSHING, TOP CTR POST, OLD STYLE	2
	SP0078.0001	41808310	PADDLE, MIX	5
	K0034	41809372	DRIVE SHAFT, 100	1
	T368108	41808182	CONDENSER FILTER, WHOLE, 100	
	SP0157.0002	41808319	FILTER CONDENSER	
	K0092	41809413	SUPPORT, FILTER GUIDE, 2 PIECE KIT	
	K0016-21-1654	41809345	GEAR, PHENOLIC, SMALL	3
	K0077	41809408	LOCK & TWO KEYS	
	K0153	41809424	COVER, LOCKING 100F, SP12, CANVAS	
	K0075	41809406	PIN, LOCKING, TOP SPIGOT	
	KA107236	41809503	LOCK BOX, TOP SPIGOT	
	K0151	41809422	CART, MOBILE, W/CASTERS	
	K0067-1	41809396	BRACKET WITH HARDWARE	
	K0067-10	41809397	KIT, DIRECT WIRE, TIMER	

MODEL 100F EXPLODED PART NUMBER VIEW

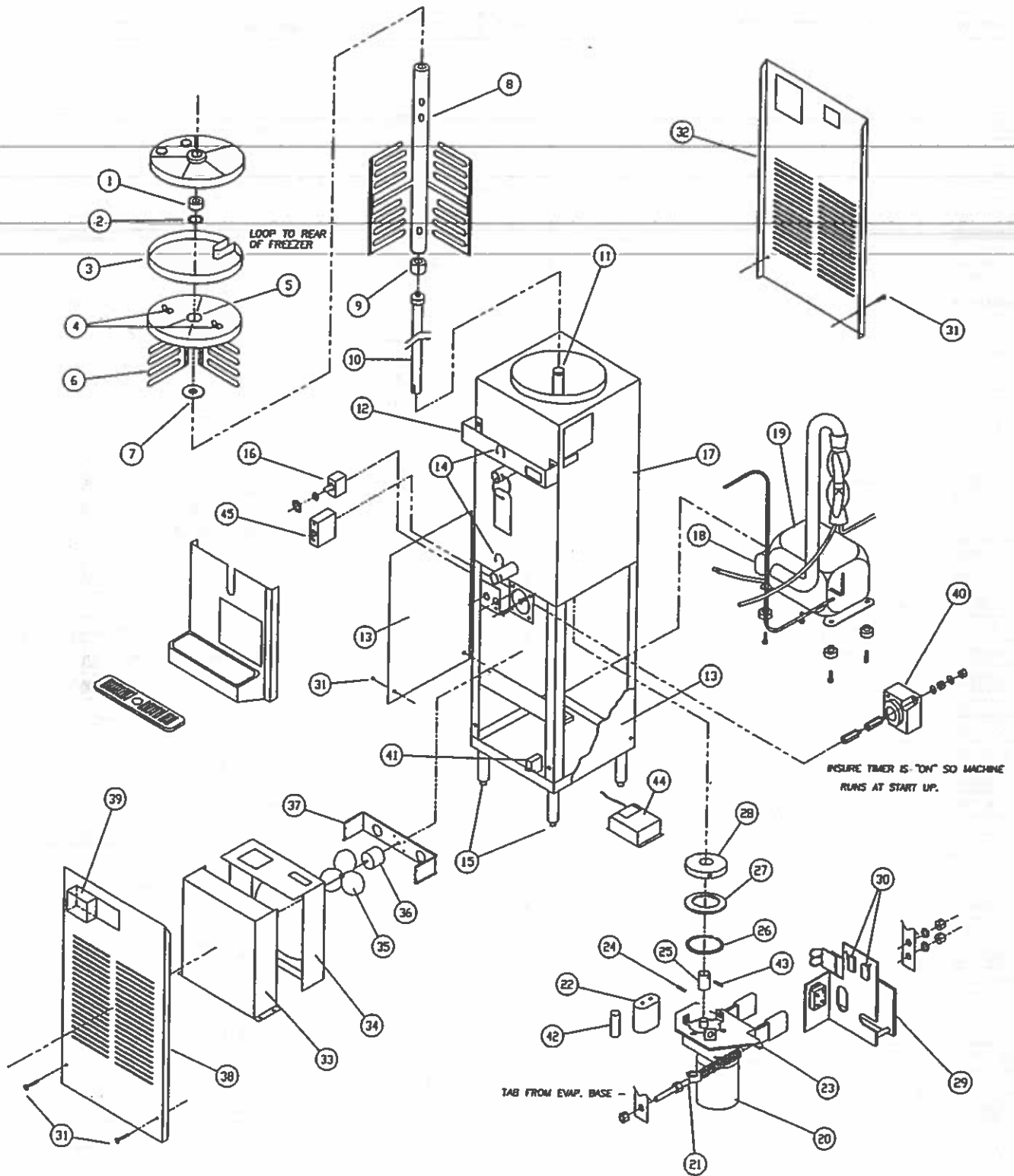
DWG NO.	OLD PART NO.	NEW PART NO.	DESCRIPTION	DWG NO.	OLD PART NO.	NEW PART NO.	DESCRIPTION
1	T232086	41808131	Cap, Drive, 100/2217/1116	14	T696130	41808281	Clip, Retainer, Stoelting original
2	SP0380.0001	41808329	Guard, Ice, Seal	15	K0151	41809422	Cart, Floor Model, w/Casters
2	T624737-100	41809567	O Ring, Agitator (25pcs)	15	T490701	41808204	Leg, Aluminum Tip
3	T5276	41808222	Ring, Sealer	16	K0063	41809394	Switch, Toggle, 3 Position
4	SP0025.0513	41808307	Nut, Wing	16	T324135	41808180	Decal, Toggle / Reset Switch
5	T4111592	41808188	Divider Plate, 100/2217	17	T3146277-01	41808166	Evaporator, Assy, 100/2217 w/Logo
6	T2121522	41808097	Blade, Stationary Fingers, 100	18	K0090-1	41809410	Relay, Compressor, 100F
7	T767519	41808300	Disc, Anti Lift	18	T618133	41808241	Overload, Tecumseh, MRT24AFN
8	T4109212	41808187	Agitator, 2 Blade, 100	18	K0090-4	41809411	Capacitor, Compressor, 100F, 3 3/8"
9	T221164	41808120	Bushing, Agitator Ctr Post, Bottom	18	T231028	41808124	Capacitor, Compressor, 100F, 4 3/8"
10	K0034	41809372	Drive Shaft, 100F	18	T231092	41808128	Capacitor, Compressor, R22, 100
11	T1127494	41808066	Bushing, Current Top, Center Post	18	T618164	41808247	Relay, Compressor, R22, 100
11	T5100-103	41808207	Bushing, Top Ctr Post, Old Style	18	T618491	41808254	Overload, Compressor, R22, 100
12	K0004	41809327	Dispenser, Cup, Large, ADJ30	19	K0090	41809409	Compressor, 1/4 HP, 100F, R12
12	K0005	41809329	Dispenser, Cup, Small, ADJ20	19	T282012-SV	41808142	Compressor, 100F, 1/3 HP, R22
12	K0006	41809330	Dispenser, Straw, ST30	20	T2183658	41809602	Motor, Oriental Assy
12	K0007	41809331	Dispenser, Lid, L 3 x 2	20	K0070	41809402	Bearing, Motor, CW/SS/FAS
12	K0008	41809333	Kit, Suction Cup	20	NM0093	41809564	Bearing, Arm Frt, 6200, 2RS
12	K0009	41809334	Bracket, No. 6	21	T5691	41808228	Spring, Torque Tension, w/Hrdwr
12	K0010	41809335	Bracket, No. 11	22	S70340	41808591	Capacitor, Motor, 95F 3448 A
12	K0013	41809336	Dispenser, Lid 1 Shelf	23	K0016-1	41809338	Bracket, Motor Mount
12	K0027	41809368	Dispenser, Lid only, Small, ADJ20	23	K0016-2	41809342	Kit, Hardware Motor Bracket
12	K0028	41809369	Dispenser, Lid only, Large, ADJ30	24	K0053	41809380	Terminal, Female, Spade 8850
12	K0037	41809373	Bracket, Mount, Dispenser	24	K0054	41809381	Terminal, Male, Spade
12	K0038	41809374	Wing Nut Stud, 3 piece set	24	K0070	41809402	Bearing, Motor, CW/SS/FAS
12	K0039	41809375	Bracket, Freezer Mount	24			Motor, Drive Assy, 100/2217
12	K0039-1	41809376	Hardware Kit, Freezer, Bracket	24	K0016-19-3724-1	41809340	Bearing, Short Sleeve
12	K52091	41809493	Bottle, Plastic Dispenser	24	K0016-19-3724-2	41809341	Bearing, Long Sleeve
12	K52092	41809494	Pump, Plastic Bottle, Dispenser	24	K0016-21-1651	41809344	Gear, Secondary, Med
12	T3113940	41808154	Rack, Bottle	24	NA	NA	Cover, Gearbox
13	T5332	41808223	Panel, Side, 100F	24	K0016-59-1372-1	41809347	Bearing, Needle, Output
14	K0075	41809406	Pin, Locking, Top Spigot	24	K0016-60-1349	41809348	Seal, Gearbox Cover
14	K0077	41809408	Lock and Two Keys, Spigot	24	K0016-60-1350	41809349	Seal, Output Gear, Gearbox
14	KA107236	41809503	Lock Box, Top Spigot	24	K0016-60-1351	41809350	Seal, Motor Input, Gearbox
14	SP0025.0501	41808306	Nut, Adjustment, Spigot	24	K0016-82-1656	41809351	Gear, Output, Large
14	SP0028.0001	41808308	Spring, Spigot, SP12, 100, SP10	24	K0016-21-1654	41809345	Gear, Phenolic, Small
14	SP0110.0001	41808313	Cap, Retaining, Spigot, SP12	24	NM0093	41809564	Bearing, Arm Frt, 6200, 2RS
14	SP0121.0001	41808315	Clip, Retaining, Spigot	24	T571016	41808230	Pin, Roll, 1/8 x 3/4
14	SP0394.0003	41808334	Spigot, Upper Assy, Universal	25	T1171812	41808086	Coupling, Motors, ECM
14	T1115840	41808063	Nut, Thumb Lower, Spigot Handle	26	T625456	41808270	Ring, Tru Arc
14	T1120918	41808064	Deflector, Splash	27	T766539	41808299	Washer, for Bearing, 2149065
14	T1123323	41808065	Spigot, Lower Assembly	28	T2149065	41808114	Bearing, 100
14	T1143820	41808072	Lock Kit, 100	29	T294482-T	41808150	Torque Control
14	T1147688-SV	41808074	Shaft w/Plug, Spigot only	29	K0200	41809434	Torque Control, SP
14	T2147689	41808110	Assembly, Upper Spigot	30	T718149	41808282	Switch, Micro
14	T482024	41808199	Knob, Spigot, 100	31	T649175	41808272	Screw, Panel
14	T5345-01	41808224	Shaft w/Plug, Assy, Lower Spigot	32	T3149024	41808174	Panel, Rear, 100F
14	T624607-100	41808263	O Ring, Spigot, 25 pcs	33	K0202	41809436	Relay, Torque, 90 Second

MODEL 100F EXPLODED PART NUMBER VIEW

DWG NO.	OLD PART NO.	NEW PART NO.	DESCRIPTION	DWG NO.	OLD PART NO.	NEW PART NO.	DESCRIPTION
33	K0203	41809437	Wire Harness, Molex/Torque	44	K0055-0	41809383	Drip Tray with Insert, Hole, White
33	K0207	41809441	Switch, Micro, Torque	44	K0055-1	41809384	Replacement Strip for K0055
33	T284016	41808148	Condenser, 100F	44	K0055-11	41809386	Replacement Strip, Stoelting Tray
34	T2147829	41808111	Guard, Fan Shroud Weldment	44	K0055-3	41809387	Drip Tray with Insert, Yellow
35	T162066	41808090	Blade, Fan, Condenser, 100	44	K0055-4	41809388	Drip Tray with Insert, Blue
36	KS75595-01	41809556	Motor,Fan, LK50,SP12,VS20,100F	44	K0055-5	41809389	Drip Tray with Insert, Black
37	T3147827	41808169	Bracket, Fan Motor, 100F	44	K0058	41809390	Insert, Grill, 100F Tray, White
38	K0095	41809415	Support, Filter Guide, 1 pc	45	T202002-T	41808094	Switch, Reset, 100/2217
38	SP0157.0002	41808319	Filter, Condenser	N/S	K0018	41809353	Indicator, Liquid Level
38	T1144491	41808073	Hardware, Filter Mounting, 100	N/S	K0018-1	41809354	O Ring, for Liquid Level, Indicator
38	T3159575	41808179	Panel, Lower Front, New 100F	N/S	K0018-2	41809355	Tube, Float, Liquid Level Indicator
38	T368108	41808182	Condenser Filter, w/Hole, 100	N/S	K0018-3	41809356	Float Cup, Liquid Level Indicator
39	T423013	41808192	Cover, Toggle Switch, 100	N/S	K0018-4	41809357	Float Collar, Liquid Level Indicator
40	K0067	41809395	Kit, Timer	N/S	K0021	41809359	Cup, Revolving, Red
40	K0067-1	41809396	Bracket w/Hardware for Timer	N/S	K0021-1	41809360	Dust Shield, Revolving Cup
40	K0067-10	41809397	Kit, Direct Wire Timer	N/S	NA	NA	Revolving Cup, Yellow
40	NA	NA	Timer, Wire Harness only	N/S	K0022	41809364	Cover, White
40	K0067-3	41809398	Kit, Hardware, Timer	N/S	NA	NA	Revolving Cup - Thelma's
40	K2012	41809473	Timer, 24 hr with Battery	N/S	K0022-3	41809365	Cover, Black
40	K2012-1	41809474	Timer, 24 hr, without Battery	N/S	K0023	41809366	Cover, Sliding, White
41	T718702	41808283	Switch, Pressure Control Reset	N/S			
42	S70341	41808592	Cap, Mounting Bracket 3M533A	N/S	K0023-3	41809367	Cover, Sliding, Black
43	T571020	41808231	Pin, Roll, 5/32 x 3/4	N/S	SP0078-0001	41808310	Paddle, Mix
44	K0055	41809382	Drip Tray with Insert, White	N/S	SP0135.0012	41808338	Support, Single Flavor
				N/S	T2145034	41808106	Drier/Capillary, Assy, 100F

jd - 01/13/05

STOELTING MODEL 100F



MODEL 100C EXPLODED PART NUMBER VIEW

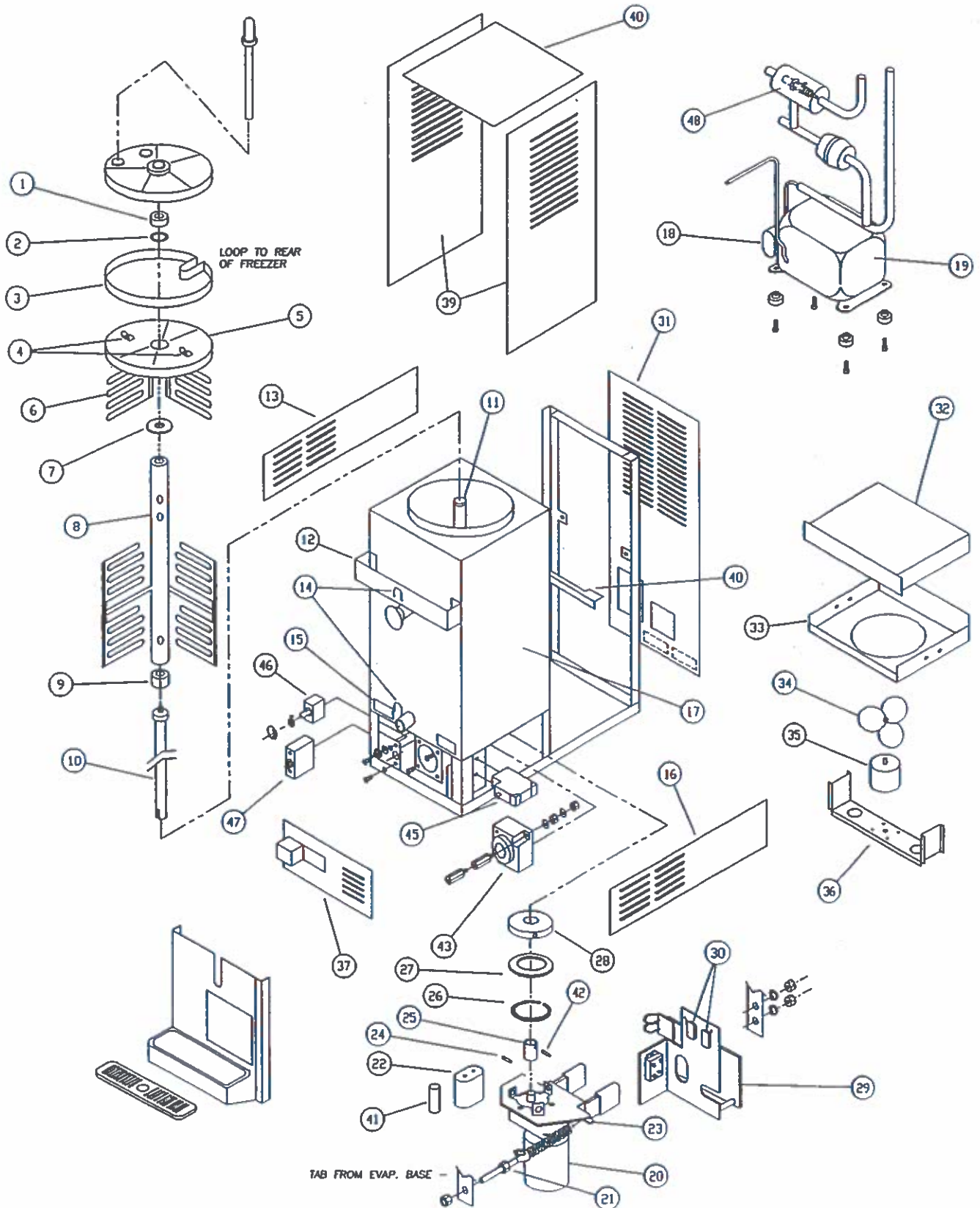
DWG NO.	OLD PART NO.	NEW PART NO.	DESCRIPTION	DWG NO.	OLD PART NO.	NEW PART NO.	DESCRIPTION
1	T232086	41808131	Cap, Drive, 100/2217/1116	14	T482024	41808199	Knob, Spigot, 100
2	SP0380.0001	41808329	Guard, Ice, Seal, SP12/10	14	T5345-01	41808224	Shaft w/Plug, Assy, Lower Spigot
2	T624737-100	41809567	O Ring, Agitator (25pcs)	14	T624607-100	41808263	O Ring, Spigot, 25 pcs
3	T5276	41808222	Ring, Sealer	14	T696130	41808281	Clip, Retainer, Stoelting Original
4	SP0025.0513	41808307	Nut, Wing	14	SP0121.0001	41808315	Clip, Retaining, Spigot, SP10/12
5	T4111592	41808188	Divider Plate, 100/2217	16	T2136927	41808098	Panel, Lower, Right
6	T2121522	41808097	Blade, Stationary Fingers, 100	16	T2159683		Panel, Lower, Right - New Style
7	T767519	41808300	Disc, Anti Lift	17	T3146277-01	41808166	Assembly, Evaporator
8	T4109212	41808187	Agitator, 2 Blade, 100	18	K0090-1	41809410	Relay, Compressor, 100F
8	SP0078.0001	41808310	Paddle, Mix	18	T618133	41808241	Overload, Tecumseh, MRT24AFN
9	T221164	41808120	Bushing, Agitator, Bottom	18	K0090-4	41809411	Capacitor, Compressor, 100F, 3/38"
10	K0034	41809372	Drive Shaft, 100F	18	T231028	41808124	Capacitor, Compressor, 100F, 4 3/8"
11	T1127494	41808066	Bushing, Current Top, Center Post	18	T231092	41808128	Capacitor, Compressor, R22, 100
11	T5100-103	41808207	Bushing, Top Ctr Post, Old Style	18	T618164	41808247	Relay, Compressor, R22, 100
12	K0004	41809327	Dispenser, Cup, Large, ADJ30	18	T618491	41808254	Overload, Compressor, R22, 100
12	K0005	41809329	Dispenser, Cup, Small, ADJ20	19	K0090	41809409	Compressor, 1/4 HP, 100F, R12
12	K0006	41809330	Dispenser, Straw, ST30	19	T282012-SV	40808142	Compressor, 100F, 1/3 HP, R22
12	K0007	41809331	Dispenser, Lid, L 3 x 2	20	T2183658	41809602	Motor, Oriental assy
12	K0008	41809333	Kit, Suction Cup	20	K0053	41809380	Terminal, Female, Spade, 8850
12	K0009	41809334	Bracket, No. 6	20	K0054	41809381	Terminal, Male, Spade
12	K0010	41809335	Bracket, No. 11	20	K0070	41809402	Bearing, Motor, CW/SS/FAS
12	K0013	41809336	Dispenser, Lid, 1 Shelf	20			
12	K0027	41809368	Dispenser, Lid Only, Small, ADJ20	20	K0016-19-3724-1	41809340	Bearing, Short Sleeve
12	K0028	41809369	Dispenser, Lid Only, Large, ADJ30	20	K0016-19-3724-2	41809341	Bearing, Long Sleeve
12	K0037	41809373	Bracket, Mount, Dispenser	20	K0016-21-1651	41809344	Gear, Secondary, Med
12	K0038	41809374	Wing Nut Stud, 4 piece set	20	NA	NA	Cover, Gearbox
12	K0039	41809375	Bracket, Freezer Mount	20	K0016-59-1372-1	41809347	Bearing, Needle Output
12	K0039-1	41809376	Hardware Kit, Freezer Bracket	20	K0016-60-1349	41809348	Seal, Gearbox Cover
12	K52091	41809493	Bottle, Plastic, Dispenser	20	K0016-60-1350	41809349	Seal, Output Gear, Gearbox
12	K52092	41809494	Pump, Plastic, Dispenser	20	K0016-60-1351	41809350	Seal, Motor Input, Gearbox
12	SP0135.0012	41808338	Support, Single Flavor	20	K0016-82-1656	41809351	Gear, Output, Large
12	T3113940	41808154	Rack, Bottle	20	K0016-21-1654	41809345	Gear, Phenolic, Small
13	T2136928	41808099	Panel, Lower, Left	20	NM0093	41809564	Bearing, Arm Frt, 6200 2RS
13	T2159570		Panel, Lower, Left - New Style	21	T5691	41808228	Spring, Torque Tension w/Hrdwr
14	K0075	41809406	Pin, Locking, Top Spigot	22	S70340	41808591	Capacitor, Motor, 95F3448A
14	K0077	41809408	Lock and Two Keys, Spigot	23	K0016-1	41809338	Bracket, Motor Mount
14	KA107236	41809503	Lock Box, Top Spigot	23	K0016-2	41809342	Kit, Hardware, Motor Bracket
14	SP0025.0501	41808306	Nut, Adjustment, Spigot	24	T571016	41808230	Pin, Roll, 1/8 x 3/4
14	SP0028.0001	41808308	Spring, Spigot, SP12, 100, SP10	25	T1171812	41808086	Coupling, Motors, ECM
14	SP0110.0001	41808313	Cap, Retaining, Spigot, SP12	26	T625456	41808270	Ring, Tru Arc
14	SP0121.0001	41808315	Clip, Retaining, Spigot	27	T766539	41808299	Washer for Bearing, 2149065
14	SP0394.0003	41808334	Spigot, Upper Assy, Universal	28	T2149065	41808114	Bearing, 100/2217
14	T1115840	41808063	Nut, Thumb Lower, Spigot Handle	29	K0200	41809434	Torque Control, SP
14	T1120918	41808064	Deflector, Splash	29	K0202	41809436	Relay, Torque, 90 Second
14	T1123323	41808065	Spigot, Lower Assembly	29	K0203	41809437	Wire Harness, Molex/Torque
14	T1143820	41808072	Lock Kit, 100	29	K0207	41809441	Switch, Micro Torque
14	T1147688-SV	41808074	Shaft w/Plug, Spigot Only	29	T294482-T	41808150	Torque Control, 100/2217/1116
14	T2147689	41808110	Spigot, Upper Assy, 100/2217	30	T718149	41808282	Switch, Micro

MODEL 100C EXPLODED PART NUMBER VIEW

DWG NO.	OLD PART NO.	NEW PART NO.	DESCRIPTION	DWG NO.	OLD PART NO.	NEW PART NO.	DESCRIPTION
31	T2136929	41808100	Panel, Back, Old Style, Counter	47	T202002-T	41808094	Switch, Reset, 100/2217
31	T3158351	41808176	Panel, Rear, 100C	48	T762411	41808297	Expansion Valve, Automatic
32	T1149082	41808079	Kit, Filter, External Wrap	49	K0055	41809382	Drip Tray with Insert, White
32	T284010		Condenser, New Style	49	K0055-0	41809383	Drip Tray with Insert Hole, White
32	T284016	41808148	Condenser, 100F	48	K0055-1	41809384	Replacement Strip for K0055
33	T2149204		Fan Shroud Ctr Model (s/n 350741 & up)	49	K0055-3	41809387	Drip Tray with Insert, Yellow
33	T4158331		Fan Shroud	49	K0055-4	41809388	Drip Tray with Insert, Blue
34	T162070	41808092	Blade, Fan, 2217	49	K0055-5	41809389	Drip Tray with Insert, Black
34	T162667	41808091	Fan Blade, R12	49	K0055-11	41809386	Replacement Strip, Stoelting Tray
35	T522833	41808221	Motor, Fan, Stud Mt, 100C	49	K0058	41809390	Insert, Grill, 100F Tray, White
36	T3149004	41808171	Bracket, Fan Motor, 100C	N/S	T152125	41808089	Cog Belt (belt drive unit)
36	T3156682	41808175	Bracket, Fan Motor, 2217	N/S	K0018	41809353	Indicator, Liquid Level
37	T2146169	41808107	Panel, Front, Counter	N/S	K0018-1	41809354	O Ring, for Liquid Level, Indicator
37	T3159569		Panel, Front, R22	N/S	K0018-2	41809355	Tube, Float, Liquid Level, Indicator
38	T423013	41808192	Cover, Toggle Switch, 100	N/S	K0018-3	41809356	Float Cup, Liquid Level, Indicator
39	T2147638	41809583	Rear Enclosure, 100C, Old Style	N/S	K0018-4	41809357	Float Collar, Liquid Level, Indicator
39	T3159478	41808177	Panel, Side, 100C	N/S	K0021	41809359	Cup, Revolving, Red
40	T1136934		Condenser Support, R12	N/S	K0021-1	41809360	Dust Shield, Revolving Cup
	T3158345		Condenser Support, R22	N/S	K0021-2	41809361	Revolving Cup, Yellow
	S70341	41808592	Cap, Mounting Bracket, 3M533A	N/S	K0022	41809364	Cover, White
42	T571020	41808231	Pin, Roll, 5/32 x 3/4	N/S	K0059	41809391	Insert Grill, 100F, Tray, Black
43	K2012	41809473	Timer, 24 hour, w/Battery	N/S	K0022-3	41809365	Cover, Black
43	K2012-1	41809474	Timer, 24 hour, without Battery	N/S	K0023	41809366	Cover, Sliding, White
43	K0067	41809395	Kit, timer	N/S			
43	K0067-1	41809396	Bracket with Hardware for Timer	N/S	K0023-3	41809367	Cover, Black
43				N/S	T1158141	41808082	Pulley, Gearbox, Metal
43	K0067-3	41809398	Kit, Hardware Timer	N/S	T2145034	41808106	Drier/Capillary, Assembly, 100F
43	K0067-10	41809397	Kit, Direct Wire Timer	N/S	T522289	41808219	Motor, Assembly, Drive Belt
44	T3159479	41808178	Panel, Top Enclosure, 100C	N/S	T599124	41808233	Pulley, Gearbox, Metal
45	T718702	41808283	Switch, Pressure Control Reset	N/S	T599126	41808234	Pulley, Plastic, Motor
46	K0063	41809394	Switch, Toggle, 3 Position	N/S	T599127	41808235	Pulley, Plastic, Gearbox
46	T324135	41808180	Decal, Toggle/Reset Switch	N/S	NA	NA	Gearbox (belt drive unit)
				N/S	T649175	41808272	Screw, Panel

jd - 01/13/05

STOELTING MODEL 100C



MODEL 2217 EXPLODED PART NUMBER VIEW

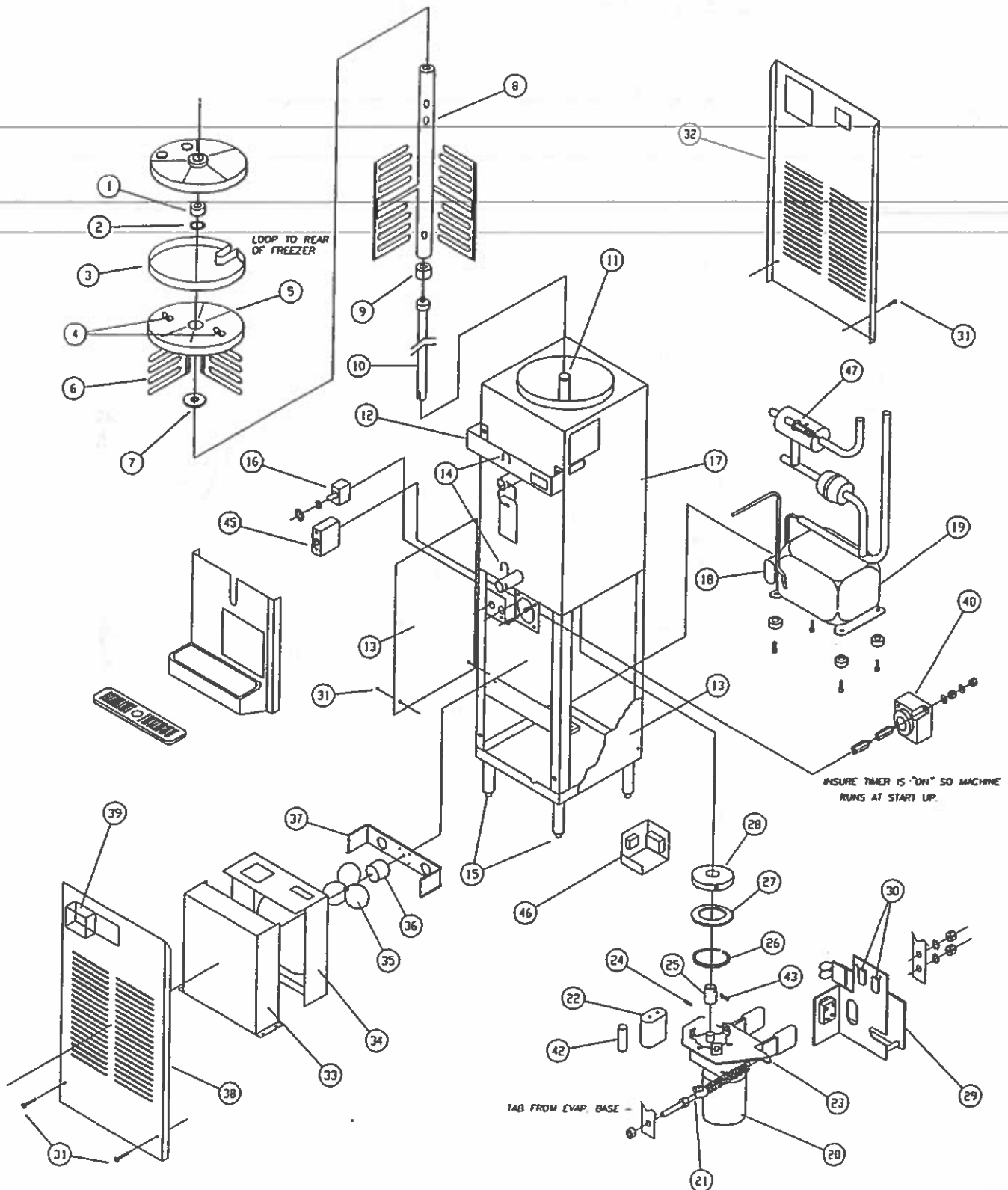
DWG NO.	OLD PART NO.	NEW PART NO.	DESCRIPTION	DWG NO.	OLD PART NO.	NEW PART NO.	DESCRIPTION
1	T232086	41808131	Cap, Drive, 100/2217/1116	14	T5345-01	41808224	Shaft w/Plug, Assy, Lower Spigot
2	SP0380.0001	41808329	Guard, Ice Seal	14	T62407-100	41808263	O Ring, Spigot, 25 pcs
2	T624737-100	41809567	O Ring, Agitator (25 pcs)	14	T696130	41808281	Clip, Retainer
3	T6276	41808222	Ring, Sealer	15	K0151	41809422	Cart, Floor Model, with Casters
4	SP0025.0513	41808307	Nut, Wing	15	T490701	41808204	Leg, Aluminum Tip
5	T4111592	41808188	Divider Plate, 100/2217	16	K0063	41809394	Switch, Toggle, 3 Position
6	T2146244	41808108	Blade, Stationary Fingers, 2217	16	T324135	41808180	Decal, Toggle/Reset Switch
7	T767519	41808300	Disc, Anti Lift	17	T3146277-01	41808166	Evaporator, Assy, 100/2217 w/logo
8	T4146238	41808189	Agitator, 2217	18	T231029		Run Capacitor Compressor R502
8	SP0078.0001	41808310	Paddle, Mix	18	T231033		Start Capacitor, Comp, Tec R502
9	T221164	41808120	Bushing, Agitator, Ctr Post, Bottom	18	T231073	41808126	Capacitor, Compressor, 2217, 120V
10	K0034	41809372	Drive Shaft, 100F	18	T230624	41808121	Capacitor, Compressor, 2217, 404A
11	T1127494	41808066	Bushing, Current Top, Center Post	18	T618488	41808253	Overload, Compressor, 2217, 404A
11	T5100-103	41808207	Bushing, Top Ctr Post, Old Style	19	T282209-01		Compressor, Copeland R502
12	K0004	41809327	Dispenser, Cup, Large, ADJ30	19	T282280-01		Compressor, Tecumseh, R502
12	K0005	41809329	Dispenser, Cup, Small, ADJ20	19	T282022-SV	41808143	Compressor, 2217
12	K0006	41809330	Dispenser, Straw, ST 30	20	T2183658	41809602	Motor, Oriental Assy
12	K0007	41809331	Dispenser, Lid, L 3 x 2	21	T5691	41808228	Spring, Torque Tension, w/Hdwr
12	K0008	41809333	Kit, Suction Cup	22	S70340	41808591	Motor Capacitor
12	K0009	41809334	Bracket, No. 6	23	K0016-1	41809338	Bracket, Motor Mount
12	K0010	41809335	Bracket, No. 11	23	K0016-2	41809342	Kit, Hardware Motor Bracket
12	K0013	41809336	Dispenser, Lid, 1 Shelf	24	K0053	41809380	Terminal, Female, Spade 8850
12	K0027	41809368	Dispenser, Lid Only, Small, ADJ20	24	K0054	41809381	Terminal, Male, Spade
12	K0028	41809369	Dispenser, Lid Only, Large, ADJ30	24	K0070	41809402	Bearing, Motor, CW/SS/FAS
12	K0037	41809373	Bracket, Mount, Dispenser	24	NA	NA	Motor, Drive, Assy, 100/2217
12	K0038	41809374	Wing Nut Stud, 4 piece set	24	K0016-19-3724-1	41809340	Bearing, Short Sleeve
12	K0039	41809375	Bracket, Freezer Mount	24	K0016-19-3724-2	41809341	Bearing, Long Sleeve
12	K0039-1	41809376	Hardware Kit, Freezer Bracket	24	K0016-21-1651	41809344	Gear, Secondary, Med
12	K52091	41809493	Bottle, Plastic Dispenser	24	NA	NA	Cover, Gearbox
12	K52092	41809494	Pump, Plastic Dispenser	24	K0016-59-1372-1	41809347	Bearing, Needle Output
12	SP0135.0012	41808338	Support, Single Flavor	24	K0016-60-1349	41809348	Seal, Gearbox Cover
12	T3113940	41808154	Rack, Bottle	24	K0016-60-1350	41809349	Seal, Output Gear, Gearbox
13	T5332	41808223	R & L Side Panels	24	K0016-60-1351	41809350	Seal, Motor Input, Gearbox
14	K0075	41809406	Pin, Locking, Top Spigot	24	K0016-82-1656	41809351	Gear, Output, Large
14	K0077	41809408	Lock and Two Keys, Spigot	24	K0016-21-1654	41809345	Gear, Phenolic, Small
14	KA107236	41809503	Lock Box, Top Spigot	24	NM0093	41809564	Bearing, Arm Frt, 6200 2RS
14	SP0025.0501	41808306	Nut, Adjustment, Spigot	24	T571016	41808230	Pin, Roll, 1/8 x 3/4
14	SP0028.0001	41808308	Spring, Spigot, SP12, 100, SP10	25	T1171812	41808086	Coupling, Motor
14	SP0110.0001	41808313	Cap, Retaining, Spigot, SP12	26	T625456	41808270	Ring, Tru Arc
14	SP0121.0001	41808315	Clip, Retaining, Spigot	27	T766539	41808299	Washer
14	SP0394.0003	41808334	Spigot, Upper Assy, Universal	28	T2149065	41808114	Bearing, 100
14	T1115840	41808063	Nut, Thumb Lower, Spigot Handle	29	T294482-T	41808150	Torque Control, 100/2217/1116
14	T1120918	41808064	Deflector, Splash	29	K0200	41809434	Torque Control, SP
14	T1123323	41808065	Spigot, Lower Assembly	30	T718149	41808282	Switch, Micro
14	T1143820	41808072	Lock Kit, 100	31	T649175	41808272	Screw, Panel
14	T1147688-SV	41808074	Shaft w/Plug, Spigot Only	32	T3149015	41808172	Panel, Rear, 2217
14	T2147689	41808110	Spigot, Upper Assy, 100/2217	33	T284013	41808147	Condensor, 2217/205
14	T482024	41808119	Knob, Spigot, 100	33	K0202	41809436	Relay, Torque, 90 Second

MODEL 2217 EXPLODED PART NUMBER VIEW

DWG NO.	OLD PART NO.	NEW PART NO.	DESCRIPTION	DWG NO.	OLD PART NO.	NEW PART NO.	DESCRIPTION
33	K0203	41809437	Wire Harness, Molex/Torque	44			
33	K0207	41809441	Switch, Micro, Torque	44	K0055-3	41809387	Drip Tray with Insert, Yellow
33	T4158331		Shroud Condenser	44	K0055-4	41809388	Drip Tray with Insert, Blue
34	T162070	41808092	Blade, Fan, 2217	44	K0055-5	41809389	Drip Tray with Insert, Black
35	T522833	41808221	Motor, Fan, Stud Mt, 100C	44	K0058	41809390	Insert Grill, 100F Tray, White
36	T3132202		Bracket Fan	44	K0055-11	41809386	Replacement Strip, Stoelting Tray
37	K0095	41809415	Support, Filter Guide, 1 piece	44	T202002-T	41808094	Switch, Reset, 100/2217
38	SP0157.0002	41808319	Filter, Condenser	45	T295019	41808152	Contactora, 120V, 2217
38	T1144491	41808073	Hardware, Filter Mounting, 100	N/S	T762411	41808297	Expansion Valve, Automatic
38	T3159575	41808179	Front Panel	N/S	K0018	41809353	Indicator, Liquid Level
38	T368108	41808182	Condenser Filter, w/Hole, 100	N/S	K0018-1	41809354	O Ring, for Liquid Level Indicator
38	T423013	41808192	Cover, Toggle Switch, 100	N/S	K0018-2	41809355	Tube, Float, Liquid Level Indicator
39	K0067	41809395	Kit, Timer	N/S	K0018-3	41809356	Float Cup, Liquid Level Indicator
40	K0067-1	41809396	Bracket, w/Hardware for Timer	N/S	K0018-4	41809357	Float Collar, Liquid Level Indicator
40	K0067-10	41809397	Kit, Direct Wire Timer	N/S	K0021	41809359	Cup, Revolving, Red
40	NA	NA	Timer Wire Harness Only	N/S	K0021-1	41809360	Dust Shield, Revolving Cup
40	K0067-3	41809398	Kit, Hardware, Timer	N/S	NA	NA	Revolving Cup, Yellow
40	K2012	41809473	Timer, 24 Hour, with Battery	N/S	K0022	41809364	Cover, White
40	K2012-1	41809474	Timer, 24 Hour, without Battery	N/S	NA	NA	Cover, Yellow
40	T718702	41808283	Switch, Pressure Control Reset	N/S	K0022-3	41809365	Cover, Black
41	S70341	41808592	Cap, Mounting Bracket, 3M533A	N/S	K0023	41809366	Cover, Sliding, White
42	T571020	41808231	Pin, Roll, 5 3/32 x 3/4	N/S	NA	NA	Cover, Sliding, Yellow
43	K0055	41809382	Drip Tray, w/Insert, White	N/S	K0023-3	41809367	Cover, Sliding Black
44	K0055-0	41809383	Drip Tray, w/Insert Hole, White	N/S	T296231	41808153	Control, Liquid Level
	K0055-1	41809384	Replacement Strip for K0055	N/S			

jd - 01/13/05

STOELTING MODEL 2217



STOELTING DRIVE MOTOR REPLACEMENT PARTS

NEW PART NUMBER 41809337
OLD PART NUMBER K0016

NEW #	OLD #	DESCRIPTION
41809340	K0016-19-3724-1	BEARING, SHORT SLEEVE
41809341	K0016-19-3724-2	BEARING, LONG SLEEVE
41809344	K0016-21-1651	GEAR, SECONDARY, MED
41809345	K0016-21-1654	GEAR, PHENOLIC, SMALL
41809347	K0016-59-1372-1	BEARING, NEEDLE, OUTPUT
41809348	K0016-60-1349	SEAL, GEARBOX COVER
41809349	K0016-60-1350	SEAL, OUTPUT GEAR, GEARBOX
41809350	K0016-60-1351	SEAL, MOTOR INPUT, GEARBOX
41809351	K0016-82-1656	GEAR, OUTPUT, LARGE
41809402	K0070	BEARING, MOTOR (608)
41809564	NM0093	BEARING, MOTOR (6200)
41809480	K3100	GREASE, TUBE, SS2200
41808591	S70340	CAPACITOR, MOTOR
41808592	S70341	CAP, MOUNTING BRACKET
41809380	K0053	TERMINAL, FEMALE, SPADE
41809381	K0054	TERMINAL, MALE, SPADE
41808230	T571016	PIN, ROLL, 1/8 X 3/4
41808231	T571020	PIN, ROLL, 5/32 X 3/4
41808086	T1171812	COUPLING, MOTOR
41809338	K0016-1	BRACKET, MOTOR MOUNT
41809342	K0016-2	KIT, HARDWARE, MOTOR BRACKET