

SECTION 9 REPLACEMENT PARTS AND REFERENCE DRAWINGS

The parts and wiring diagrams illustrated on the following pages pertain to models current with the printing of this manual.

For your convenience, a wiring diagram decal has been affixed to the electrical box or electrical box cover for your model.

If the wiring decal on your model is missing or has been damaged, please contact Stoelting, Inc. Service Department for a replacement.

9.1 HOW TO ORDER PARTS

To assure receipt of the proper replacement parts, supply your dealer or distributor with the following information:

- A. Model number of equipment.
- B. Serial number of model, stamped on nameplate.
- C. Part number, part name and quantity needed. Common parts names and numbers are listed in this manual.

9.2 SPIGOT ASSEMBLY PARTS

<u>Ref. No.</u>	<u>Part No.</u>	<u>Description</u>
1	1147688	Shaft & Plug Assembly (SM-813A)
2	1120265	Shaft Spacer
3	232002	Retainer Cap for Spigot Valve
4	624607	O-Ring
5	482024	Knob
6	694400	Spring
7	1120918	Splash Deflector for Spigot

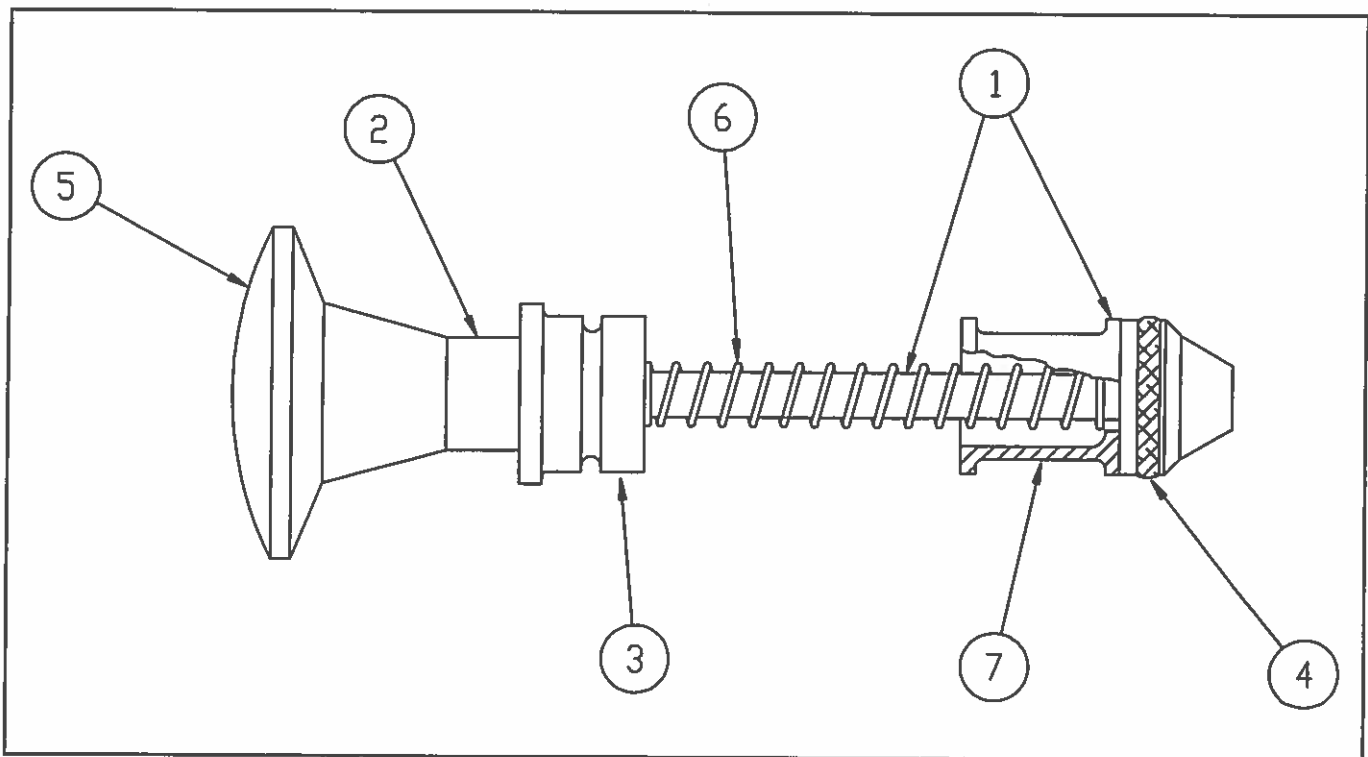


Figure 49. Exploded View of Spigot Assembly

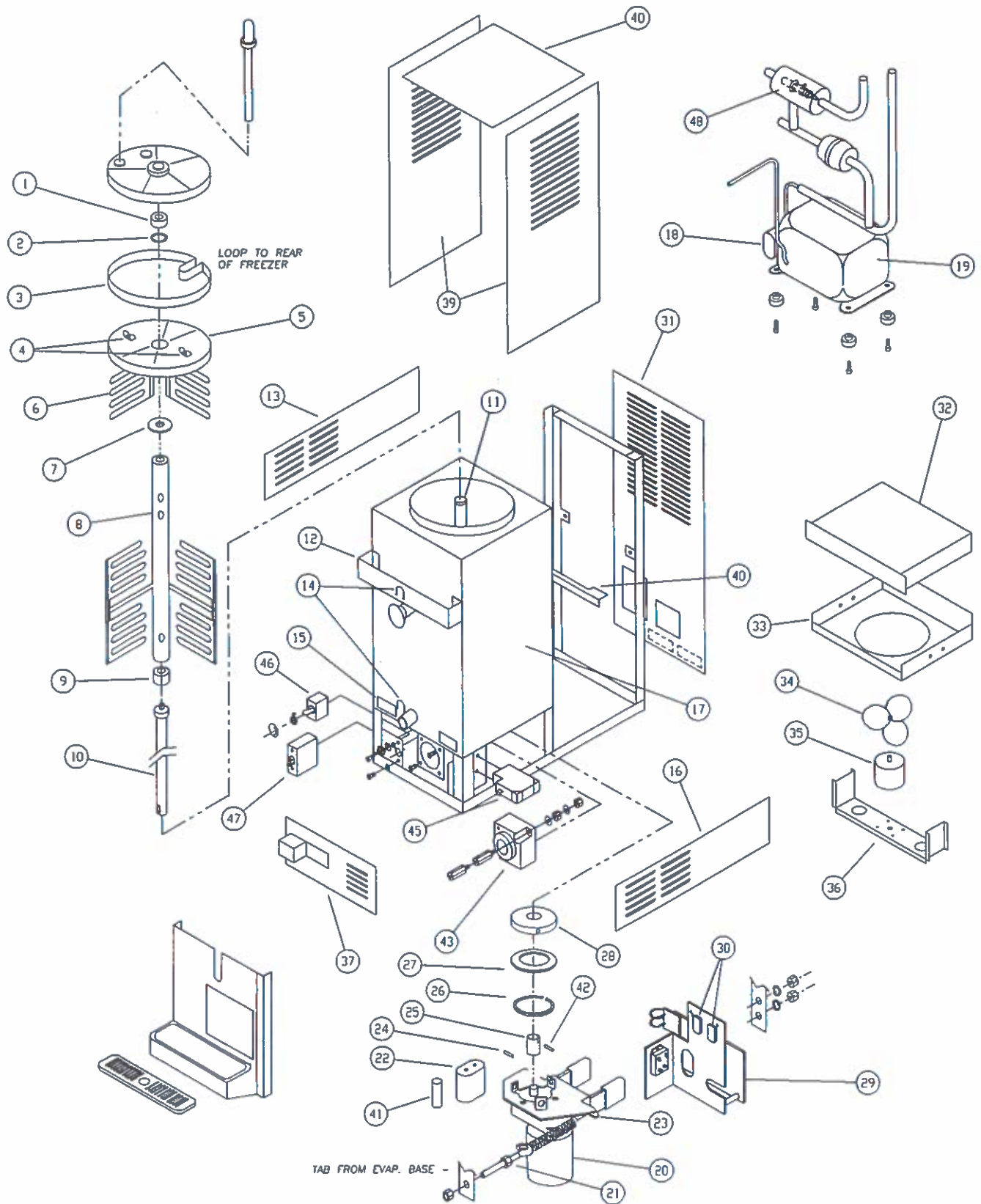


Figure 50. Model 100C Exploded View

9.3 MODEL 100C PARTS LIST

Ref. No.	Part No.	Description
1	232086	Drive Cap
2	624737	O-Ring, Agitator
3	5276	S.S. Sealer Ring
4	5309-12	Wing Nut
5	4111592	Divider Plate
6	2121522	Stationary Finger (Baffle Assembly)
7	767519	Anti-Lift Disc
8	4109212	Three Blade Agitator
9	221164	Bushing, Agitator (Bottom Center Post)
10	2171810	Drive Shaft
11	1127494	Bushing (Top Center Post)
12	3113940	Flavor Rack
13	2159570	Left Lower Panel
14	696130	Horseshoe Clip Lock Pin
15	324107	Decal
16	2159683	Right Lower Panel
17	3146277-01	Evaporator Assembly with Logo
18	618164	Copeland Relay
18	231092	Copeland Start Capacitor
19	282012	Compressor - Copeland
20	522031	Drive Unit Assembly
21	1133960	Torque Tension Spring & Eyebolt Assy.
22	231062	Capacitor, Drive Motor-current (97F 4287)
23	200037	Motor Mounting Plate
24	571016	Roll Pin (Bottom)
25	1171812	Drive Motor Extension
26	625456	Tru Arc Ring
27	766539	Washer (See #2149065 Bearing)
28	2149065	Bearing (See #766539 Washer)
29	294482-T	Electronic Torque control (Patented)
30	718149	Micro Switch for Electronic Torque Control
31	3158351	Back Panel
32	284010	Condenser
33	4158331	Fan Shroud
34	162070	Fan Blade
35	522833	Fan Motor
36	3156682	Fan Bracket
37	3159569	Front Panel
38	423013	Toggle Switch Cover (snap on)
39	3159478	Side Panel
40	3158345	Condenser Support
41	1170735	Capacitor Bracket
42	571020	Roll Pin (top)
43	739533	24 Hour Timer
44	3159479	Top Enclosure
45	718702	High Pressure Manual Reset Switch
46	718561	Toggle Switch
47	202002-T	Reset Switch (Circuit Breaker)
48	762411	Expansion Valve

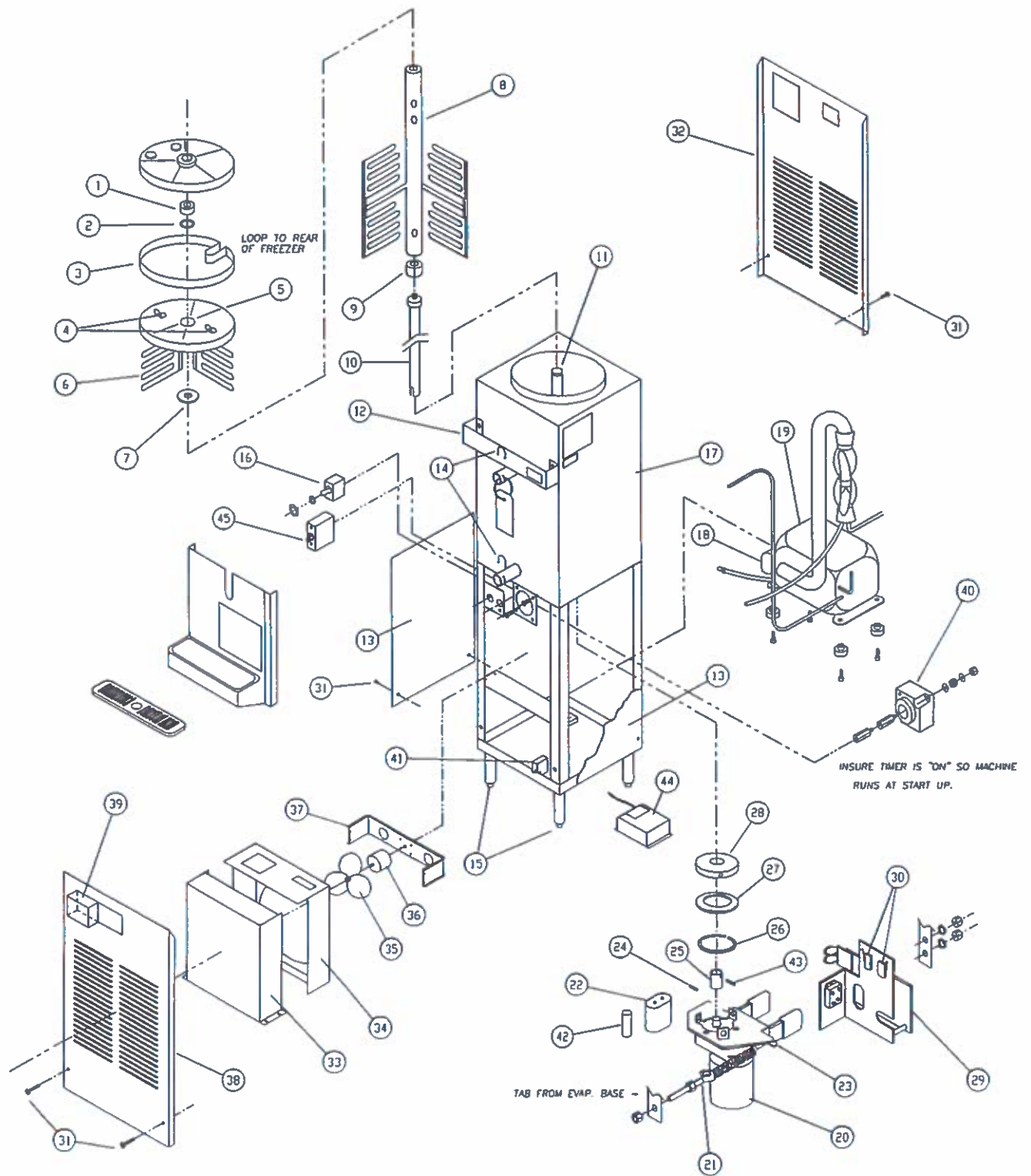


Figure 51. Model 100F Exploded View

9.4 MODEL 100F PARTS LIST

Ref.No.	Part Number	Description
1	232086	Drive Cap
2	624737	O-Ring, Agitator
3	5276	S.S. Sealer Ring
4	5309-12	Wing Nut
5	4111592	Divider Plate
6	2121522	Stationary Finger (Baffle Assembly)
7	767519	Anti-Life Disc
8	4109212	Three Blade Agitator
9	221164	Bushing, Agitator (Bottom Center Post)
10	2171810	Drive Shaft
11	1127494	Bushing (current - top of center post)
12	3113940	Flavor Rack
13	5332	R. and L. Side Panel, Lower - Floor Model
14	696130	Horseshoe Clip Lock Pin
15	490701	Leg Tip - Die Cast Aluminum
16	718561	Toggle Switch
17	3146277-01	Evaporator Assembly
18	231092	Copeland Start Capacitor
18	618164	Copeland Relay
19	282012-SV	Compressor - Copeland
20	522031	Drive Unit Assembly (WSM) cannot be used on Counter Model
21	5691	Torque Tension Spring & Mounting Hardware
22	231062	Capacitor, Drive Motor-current (97F 4287)
23	200037	Motor Mounting Plate
24	571016	Roll Pin (Bottom)
25	1171812	Drive Motor Extension
26	625456	Tru Arc Ring
27	766539	Washer (See #2149065 Bearing)
28	2149065	Bearing (See #766539 Washer)
29	294482-T	Electronic Torque Control (Patented)
30	718149	Micro Switch for Electronic Torque Control
31	649175	Panel Screw
32	3149024	Rear Lower Panel
33	284010	Condenser
34	4158331	Metal Fan Shroud
35	162070	Fan Blade, Condenser
36	522833	Fan Motor, Condenser
37	3156682	Fan Bracket
38	3159575	Front Lower Panel with Slots
39	423013	Toggle Switch Cover (snap on)
40	739533	24 Hour Timer
41	718702	High Pressure Manual Reset Switch
42	1170735	Capacitor Bracket
43	571020	Roll Pin (top)
44	744038	Transformer
45	202002-T	Reset Switch, Circuit Breaker

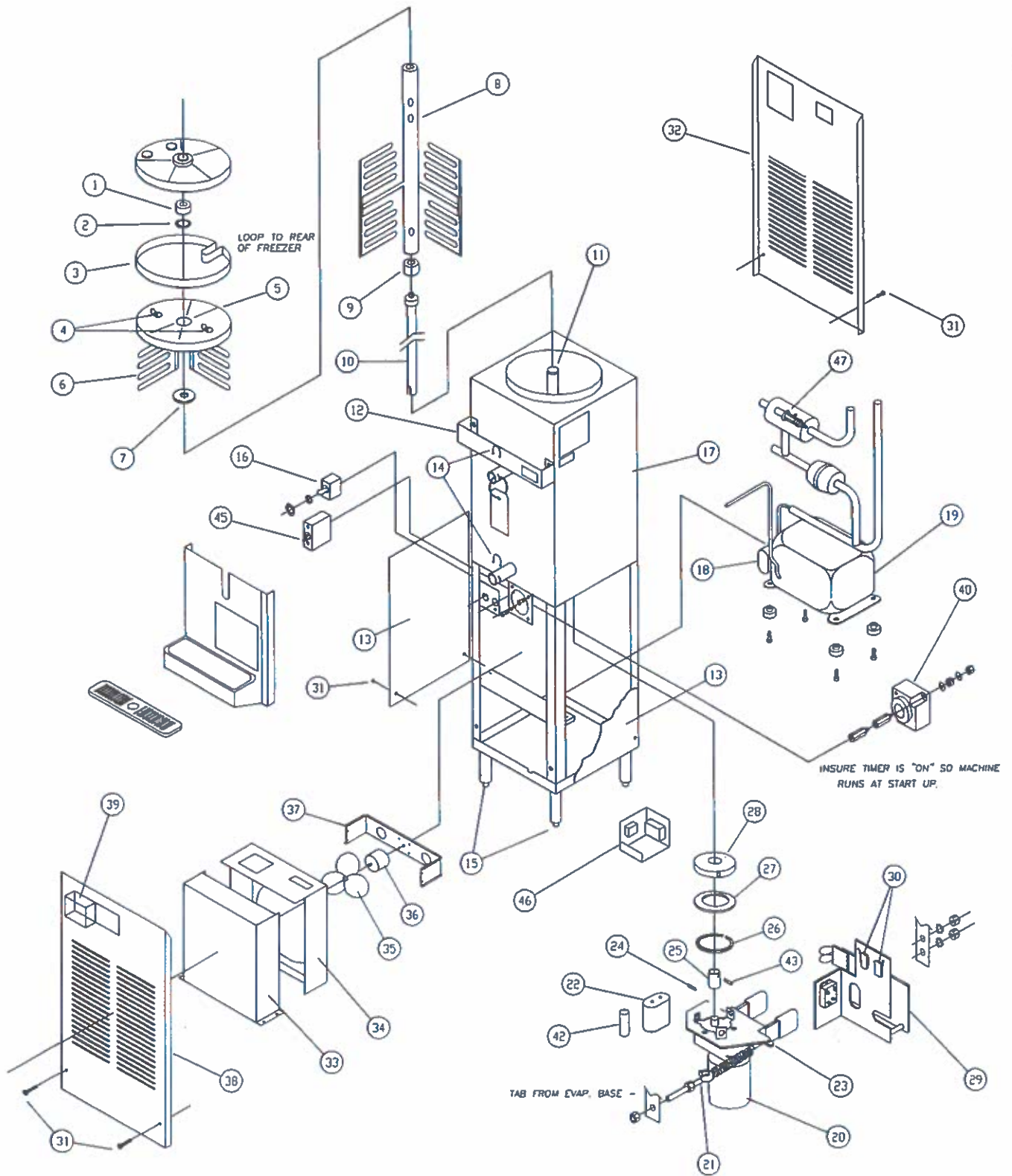


Figure 52. Model 2217G Exploded View

9.5 MODEL 2217G PARTS LIST

<u>Ref. No.</u>	<u>Part No.</u>	<u>Description</u>
1	232086	Drive Cap
2	624737	O-Ring, Agitator
3	5276	S.S. Sealer Ring
4	5309-12	Wing Nut
5	4111592	Divider Plate
6	2146244	Stationary Finger (Baffle Assembly)
7	2146251	Anti-Lift Disc
8	4146238	Three Blade Agitator
9	1142520	Bushing, Agitator (Bottom Center Post)
10	2171810	Drive Shaft
11	1127494	Bushing (Current - Top Center Post)
12	3113940	Flavor Rack
13	5332	R. and L. Side Panel, Lower - Floor Model
14	696130	Horseshoe Clip Lock Pin
15	490701	Leg Tip - Die Cast Aluminum
16	718561	Toggle Switch
17	3146277-01	Evaporator Assembly (w/logo)
18	230624	Start Capacitor (Ser.#1519 Plus)
18	618530	Relay (Ser.#1519 Plus)
18	231073	Start Capacitor (Ser.#1357 -#1518)
18	231044	Run Capacitor (Ser. #0 -#1356)
18	231060	Start Capacitor (Ser. #0 -#1356)
18	231022	Start Capacitor (50 Hz.)
18	231072	Run Capacitor (50 Hz.)
18	618488	Relay Overload (Ser. #1519 Plus)
18	618145	Relay (Ser. #1357 -#1518)
18	618446	Relay Overload (Ser. #1357 -#1518)
18	618146	Relay (50 Hz.)
19	282022	Compressor Tecumseh (w/Caps.)(Ser.#1519 Plus)(60 Hz.)
19	282209-01	Compressor Copeland (Ser.#1357 -#1518)(60 Hz.)
19	282284-01	Compressor Tecumseh (Ser. #0 -#1356)(60 Hz.)
19	282210	Compressor Copeland (No Caps.)(50 Hz.)
20	522031	Drive Unit Assembly (WSM) cannot be used on Counter Model
21	5691	Torque Tension Spring & Mounting Hardware
22	231062	Capacitor, Drive Motor - current (97F 4287)
23	200037	Motor Mounting Plate
24	571016	Roll Pin (Bottom)
25	1171812	Drive Motor Extension
26	625456	Tru Arc Ring
27	766539	Washer (See #2149065 Bearing)
28	2149065	Bearing (See #766539 Washer)
29	294482-T	Electronic Torque Control (Patented)
30	718149	Micro Switch for Electronic Torque Control
31	649175	Panel Screw (Ser. #1519 Plus)
31	647886	Panel Screw (Ser. #0 -#1518)
32	3149024	Rear Lower Panel (Ser. #1519 Plus)
32	3149015	Rear Lower Panel (Ser. #0 -#1518)
33	284010	Condenser (Ser. #1519 Plus)
33	284013	Condenser (Ser. #0 -#1518)
34	4158331	Metal Fan Shroud
35	162070	Fan Blade, Condenser
36	522833	Fan Motor, Condenser
37	3156682	Fan Bracket
38	3159575	Front Lower Panel with Slots
39	423013	Toggle Switch Cover (snap on)
40	739533	24 Hour Timer

<u>Ref. No.</u>	<u>Part No.</u>	<u>Description</u>
42	1170735	Capacitor Bracket
43	571020	Roll Pin (top)
45	202002-T	Reset Switch, Circuit Breaker
46	295019	Contact
47	762411	Expansion Valve